

**OPULENZ**  
**ALUMINIUM**  
**SLIDING**  
**SYSTEMS**



 **OPULENZ**  
EXPERIENCE THE GRANDEUR

Premium Sliding Door System



# PEOPLE PASSION PROFILES

profine India, a 100% subsidiary of profine GmbH-represented globally, is characterized by quality thinking, innovative strength, efficient processes and responsibility. The pursuit of excellence in all areas is our driving force. What really set us apart is not just the quality but also the technical support that we offer and focus on customer satisfaction. The close partnership with our customers is the foundation of our success.

The goalposts keep changing and the requirements keep growing – the challenges faced by window specialists are becoming more complex. Our services take the pressure off from our window partners so that they can concentrate on the success of their business. With innovative new generation window and door systems, we set new standards in international markets and meet people's needs of brightly lit residential and work spaces. We create the conditions for modern and energy efficient architecture. We provide optimized sound insulation for quiet and stress-free living spaces and create a healthy atmosphere using forward-looking systems.

We take our commitment to being close to the customers; we have our presence across the country. This local presence allows us to understand the requirements of the market and provide the best support to our customers. Another advantage of our close proximity is that we can deliver fast. Our efficient logistic system ensure product arrive at the right place and time.



## Opulenz – Experience the Grandeur

AluPure - Opulenz, Premium Sliding Door System is a product of profine India, a 100% subsidiary of profine GmbH, the worldwide leader in uPVC profiles for window, door and shutter systems. Profine India has been supplying window and door systems in India since 2004.

Made with German precision, Opulenz Premium sliding door system ensures the quality at highest level. The System has successfully passed several performance parameters in terms of wind load performance, structural strengthening, static water penetration and air infiltration. This easy care sliding door system is an epitome of utmost craftsmanship and ensures the smooth sliding experience. Available in colours more than you can count on, is an addition to the aesthetics of any dwelling.

Opulenz Premium sliding door system is a great way to expand your living space and let the outdoors in. The flexibility of Opulenz system is so high that it provides architects freedom of choice in terms of height and width and converts their imagination into reality.



## Salient Features

- Ultra Slim, Premium Sliding Door System for a sophisticated look
- Highly flexible in terms of height & width, upto 4 mt (height) x 8 mt (width)
- Robut, highly Stable can bear wind load upto 3.5 KPA
- Rollers can bear the load of upto 400 Kg
- Interlock width, from 22-25 mm
- Multiple locking to ensure higher security
- Available in multiple number of colour options
- Low maintenance, Eco-friendly and non-flammable
- Durable, comes with 10 years warranty\*

## Quality Standards

Tests	Standards	Result
Air Infiltration	EN 12207	CLASS 3A
Static Water Penetration	EN 12208	Class 7A
Wind Load Performance	EN 12210	Upto 3.5 Kpa load



Highest level of Quality



Durable and Low Maintenance



Built for Extreme Weather Conditions



Non Flammable



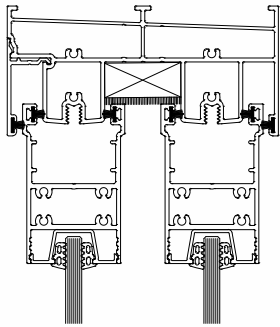
Colourfast and 100% Recyclable



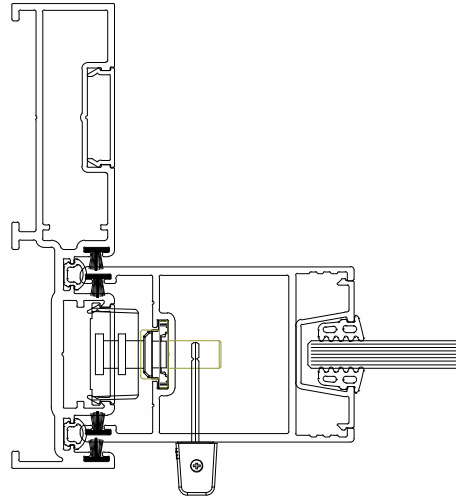
Maximum choice of colours

## 2 Track Sliding Door System

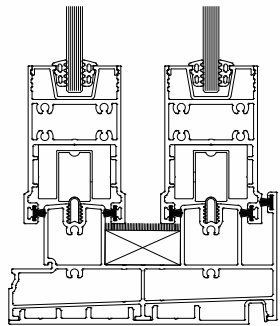
Top Vertical Cross Section



Side Cross Section

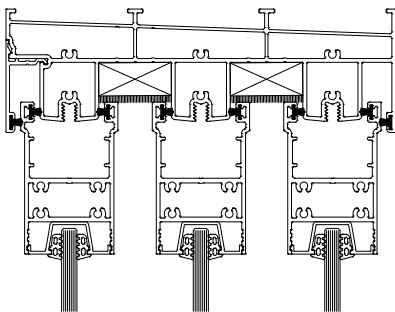


Bottom Vertical Cross Section

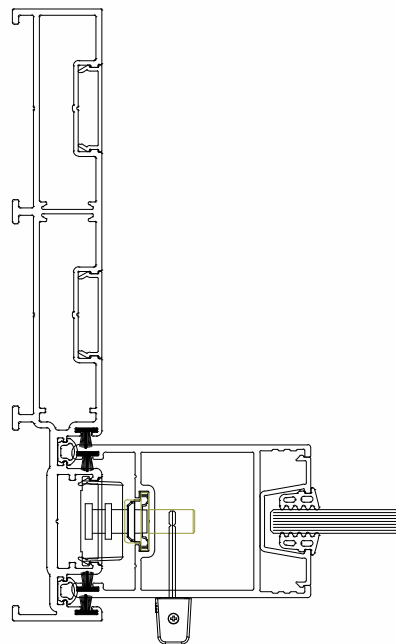


## 3 Track Sliding Door System

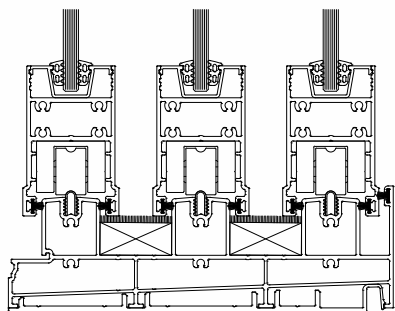
Top Vertical Cross Section



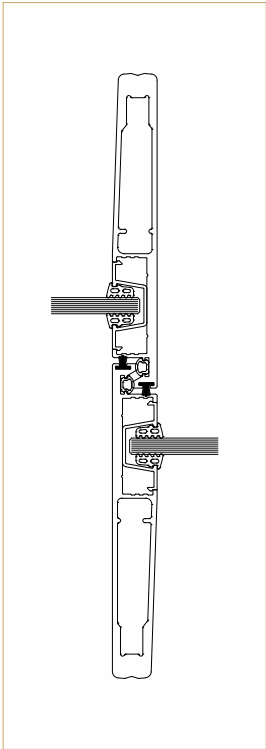
Side Cross Section



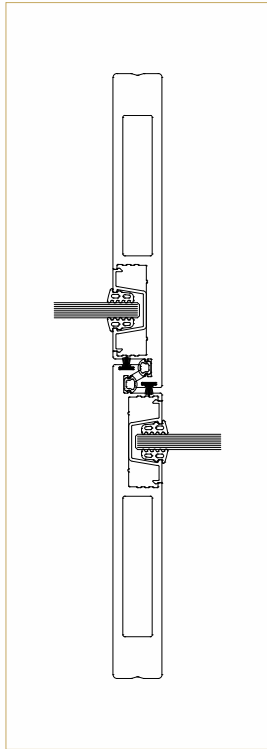
Bottom Vertical Cross Section



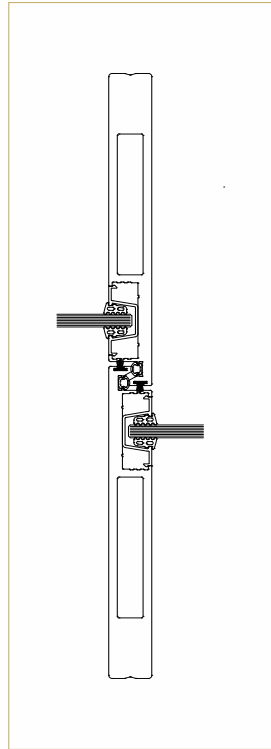
**Interlock**



**Interlock 3 Meter**

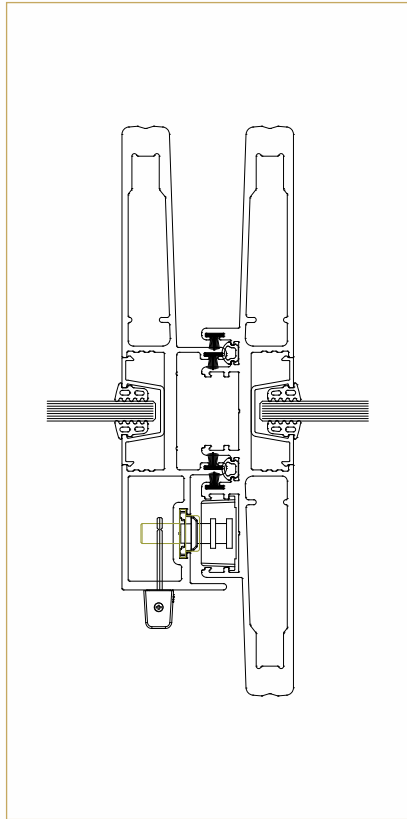


**Interlock 3.5 Meter**

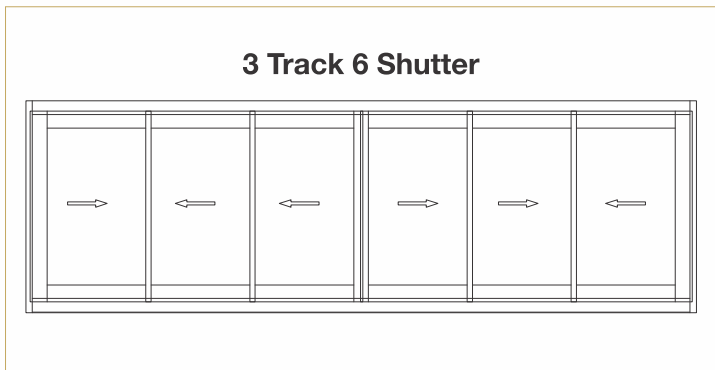
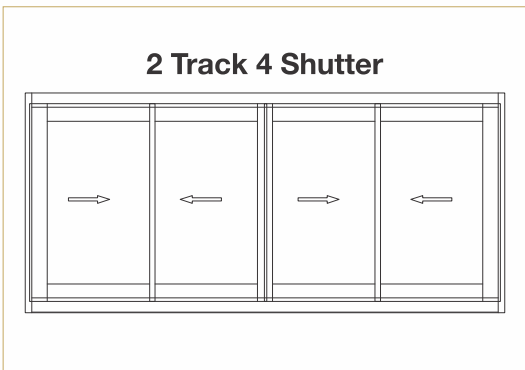


**Interlock 4 Meter**

**Butt Profile Assembly**



**Door Typologies**





## BRILLIANT SURFACES – IN COLOUR OR METALLIC EFFECT

### POWDER FINISHING FOR THE COLOUR YOU WANT

Thanks to the high quality enamelling of the powder finished profiles, the elements of aluminium retain their original brilliance even after many years and do not need a fresh coat of paint. You can choose from the whole RAL palette with over 200 colours. These RAL colours are available in glossy, matt, and textured.



### ANODIC FINISHING FOR A BRILLIANT LOOK

The process yields brilliant surfaces and characteristic metallic effects. Anodic finishing is a benefit not only for the look. It also provides long lasting protection against increasingly aggressive environmental effects. Furthermore, anodised surfaces are insensitive to mechanical effects and are easy to clean.





**profine GmbH**

Mülheimer Straße 26  
53840 Troisdorf  
Germany  
Phone: (+49) 2241 9953-0  
Fax: (+49) 2241 9953-3561  
E-Mail: [info@profine-group.com](mailto:info@profine-group.com)  
Website: [www.profine-group.com](http://www.profine-group.com)

